

The FOREDE® Brand PS-B as Fire Fighting Monitor, it provides good long jet range and stable quality, the fire monitor nozzle can be adjustable(1200-1800-2400 LPM) or constant nozzle(1200 LPM or 1800 LPM or 2400 LPM).

A lightweight and highly durable flow-efficient monitor due to the Aluminum Alloy with Hard Anodized workmanship. PS-B with few and easy maintenance, suitable for good range of Industries.

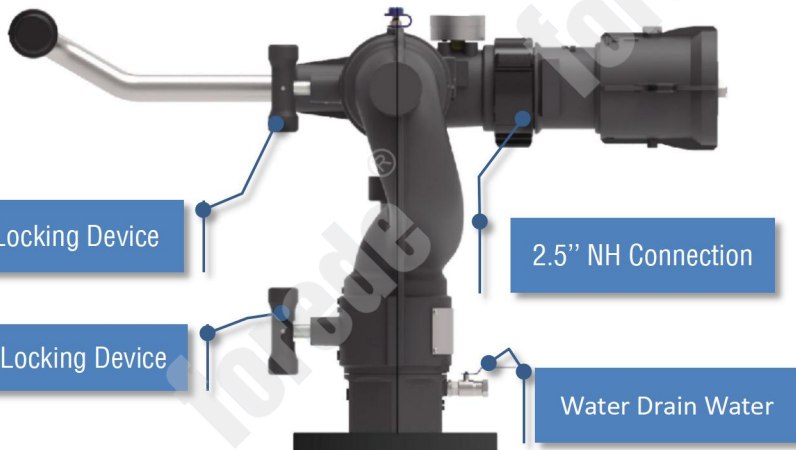
FEATURES

- Light aluminum alloy construction
- Elevation travel of 120°, From -45° To +75°
- 360° Rotation Horizontally
- Stainless steel handle tiller control
- Nozzle has a built-in Stream Sharper
- Available for straight stream and Fog pattern
- Long service and easy repair
- Liquid-filled pressure gauge
- Complete with elevation and horizontal locking device
- Complete with water drain valve
- Three patterns for flow rate from 1200 LPM up to 2400 LPM adjustable
- Water Jetting Range: Max ≥60 meters
- Working Pressure: 8 bar (0.8MPa)
- Weight: 11kg
- Carton Package: 12.9kg/70*40*25cm
- Color: Dark Grey standard



3" BS 4504 Flange is standard

Thread inlet, other sizes & std. are available



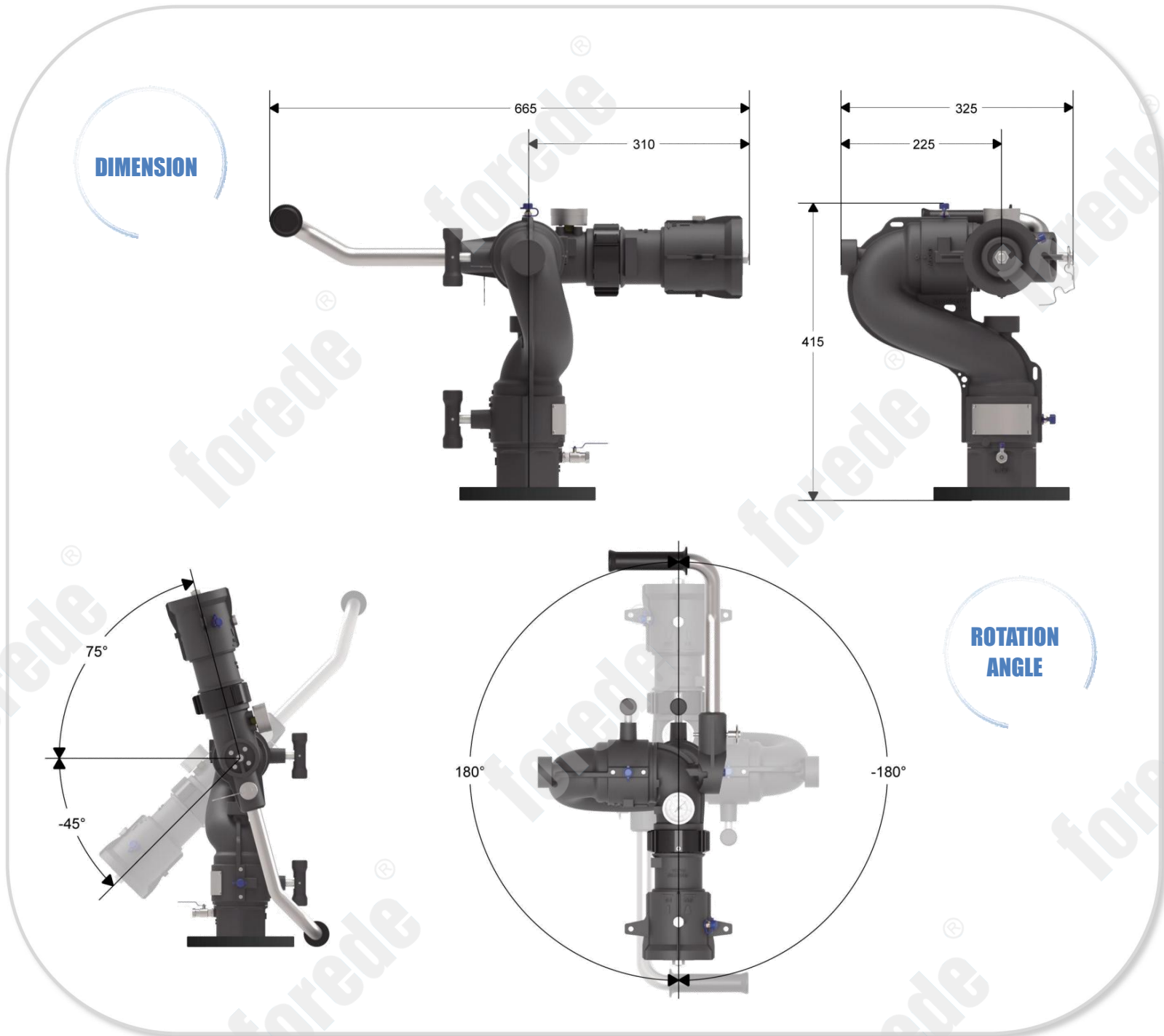
Material

Body	Hard Anodized Aluminum alloy
Nozzle	Hard Anodized Aluminum alloy
Stream sharper	Hard Anodized Aluminum alloy
Handle	Stainless steel
Water drain valve	Brass / Stainless Steel

Model	PS20B	PS30B	PS40B	PS20-40B
Flow Rate	1200LPM (Adjustable Nozzle)	1800LPM (Adjustable Nozzle)	2400LPM (Adjustable Nozzle)	1200-1800-2400LPM (Adjustable Nozzle)
Working Pressure	0.8 MPa	0.8 MPa	0.8 MPa	0.8 MPa
Water Jetting Range	≥ 45 meters	≥ 55 meters	≥ 60 meters	≥ 45-60 meters
Max. Fog Angle	120°			
Horizontal Rotation Angle	0~360°			
Elevation Rotation Angle	-45° ~ +75°			
Waterway Size	2.5" (65mm)			
Outlet	2.5" NH Connection			
Inlet	3" BS 4504 Flange is standard (Thread inlet, other sizes & std. are available)			

APPLICATION

- ◆ Refineries
- ◆ Fuel distribution depots
- ◆ Chemical plants
- ◆ Warehouses
- ◆ Helicopter landing pads
- ◆ Aircraft hangars
- ◆ Loading jetties
- ◆ Process plants
- ◆ Industrial process areas
- ◆ Shipping
- ◆ Vehicle-mounted



INSTALLATION

- ❖ Installation under the guidance of professionals, and do not install or replace parts without authorization.
- ❖ During transportation and installation, handle with care to avoid collision damage.
- ❖ The installed foundation should be able to withstand the load of the fire monitor infrastructure due to unstable factors such as jet reaction force and wind disaster.
- ❖ Fire monitors should be installed in the upwind direction of the protected place where the wind prevails all the year round.
- ❖ The pipeline must be flushed before the fire monitor is installed to prevent debris from entering the fire monitor to block the nozzle.
- ❖ After installation, the nozzle should face the object of protection, and should not face the position of the operator at any time.
- ❖ The bottom of the control cabinet of the electric and hydraulic fire monitors should be installed indoors, and should be set in a position where each turret can be directly observed. When necessary, the fire control room should be equipped with monitors and other auxiliary observation equipment.
- ❖ The fire control room should have good fireproof, dustproof and waterproof measures, and the layout of the system control device should be easy to operate and maintain.

OPERATIONAL REQUIREMENTS AND PRECAUTIONS

- ❖ The personnel operating the fire monitor must be trained in operation and be familiar with the relevant operation process.
- ❖ The inlet pressure of water shall not be higher than the working pressure of the monitor.
- ❖ Before using the fire monitor, all personnel in front of the muzzle should be evacuated to avoid danger.
- ❖ When manually operating the fire monitor, please take the handle to avoid danger.
- ❖ When operating, it should be jetted downwind as far as possible to increase the range.

OPERATION

Step 1. In the event of a fire, immediately start the fire pump set of the fire monitor system.

Step 2. The operator holds the fire monitor operating level handle (hand-wheeled fire monitor, holding the operating hand wheel for adjusting the pitch angle), and slowly opens the fire monitor inlet valve.

Step 3. Loosen the positioning and lock device, use the level handle of fire monitor (hand-wheeled fire monitor, use hand wheel to control,) adjust the working angle and rotation, so that the water can fully cover the burning material.

Step 4. When fire monitor is adjusted to the proper position, the level handle of the water gun can lock the positioning and locking handle for directional injection.

Step 5. After using, turn off the system fire pump set.

Step 6. Tilt the nozzle to pour out the remaining liquid in the cavity, then put it in right position, lock the positioning and lock device.

Step 7. Close the inlet valve of fire monitor and check all parts which should be no damage.

MAINTENANCE

*The maintenance of fire monitors should be handled by dedicated personnel.

- ❖ The fire monitor should be kept clean. After use, the nozzle should be tilted to pour out the remaining liquid in the cavity, and the exterior should be cleaned with clean water and wiped off the water stains. Dual-purpose monitor(water/foam), the interior must be rinsed with clean water, and then the accumulated water must be released.
- ❖ The fire monitor should be maintained regularly, and all fasteners of the fire monitor should be inspected after use and every six months. Operate the control cabinet of the electric fire monitor every three months to ensure the normal and stable operation of the motor.
- ❖ The meshing part of the worm gear and other rotating parts should be filled with grease for half a year to ensure flexible rotation.
- ❖ All parts should be kept in good condition. If the fasteners are found to be loose and other accessories are damaged, they should be repaired in time.
- ❖ When not in use, cover it with a rain-proof cloth. The mobile gun should be stored in a normal temperature, dry and non-corrosive place.
- ❖ When the working pressure of the fire monitor is found to be too high or the shooting range is short, check whether there is any blockage at the nozzle, and clear it in time.
- ❖ If there is leakage at each connection part of the fire monitor, check whether the seal is intact, and replace the seal in time if damaged.
- ❖ The rotating part of the fire monitor is not flexible, the operation is difficult, or the angle adjustment cannot reach the expected range, grease should be applied to the rotating part or the parts should be replaced in time.
- ❖ The control cabinet of the electric fire monitor cannot operate the motor. Check whether the connection between the control cabinet and the motor is normal. If it is connected and still cannot be operated, it should be repaired or replaced in time.
- ❖ In cold areas, take measures to prevent cold and frost, such as drainage and heat preservation.
- ❖ When the fire monitor is used as the vehicle-mounted monitor of a fire truck, the spray tube bracket of the fire monitor should be installed and fixed to prevent bumps during driving and damage to the gun parts.

ORDERING GUIDE

- Model Number
- Inlet Connection way, size and standard.
- Order Quantity
- Shipping/Transportation Way

***Other special requirements please contact FOREDE SALES TEAM.**

Tips: for more related products or other firefighting equipment, please forward to our website, www.forede.com