

## FIRE MONITOR MANUAL ELECTRIC CONTROLLED

Instructions For Installation,  
Operation and Maintenance

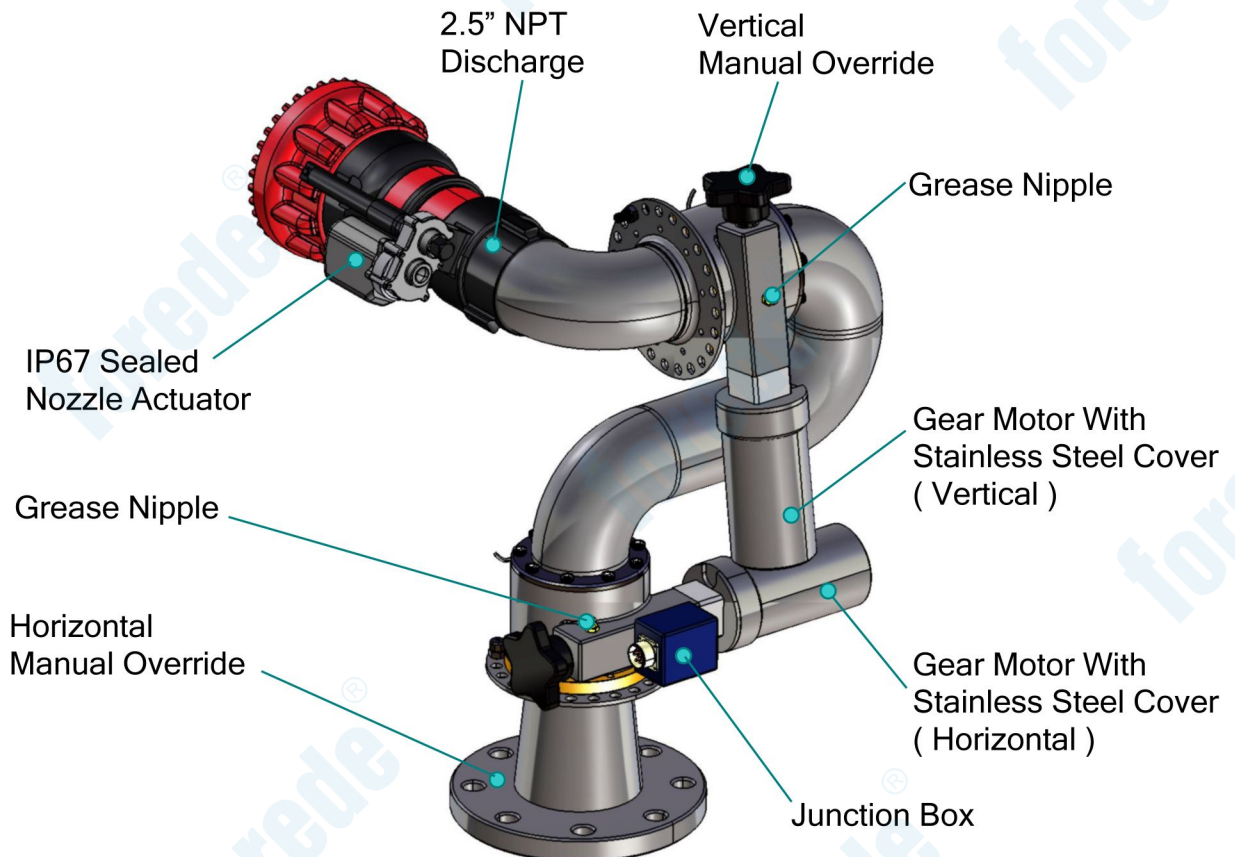
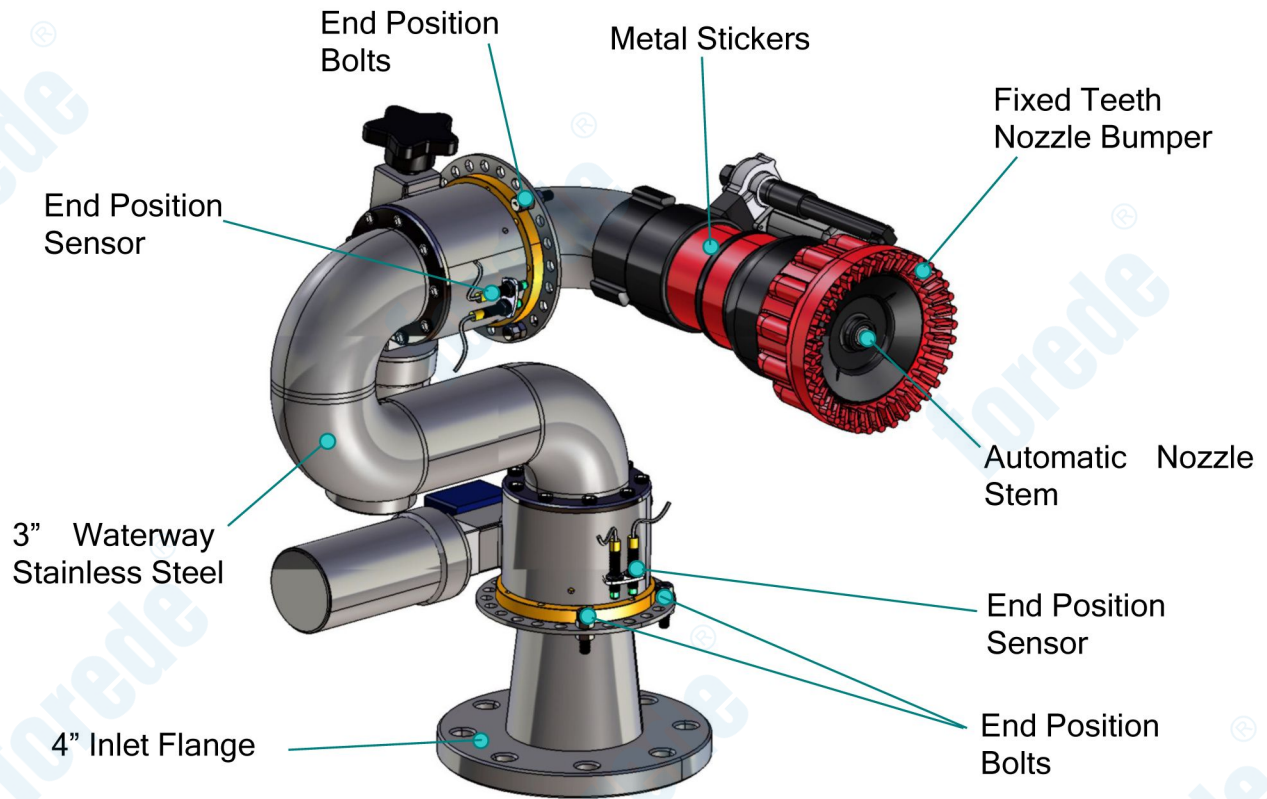
# PSKD80 FIRE MONITOR

## TECHNICAL SPECIFICATION

|                                   |   |
|-----------------------------------|---|
| Weight in kg incl. nozzle approx. | 29 kg   |
| Material                          | <ul style="list-style-type: none"><li>■ Body Stainless 304(standard) Stainless 316 (optional)</li><li>■ Aluminum Hard Anodized Nozzle</li><li>■ Gear bronze</li></ul> |
| Flow range @ 10 bar               | 10~80L/S Automatic  |
| Max. reach @ 10 bar               | 80m @ 80L/S   |
| Range of motion                   | <ul style="list-style-type: none"><li>■ +90° / -55° vertical , 360° Horizontal,</li><li>■ Other Degrees Adjustable</li></ul>  |
| Speed (of high speed version)     | 24°/sec rotation , 10°/ sec vertical  |
| Power consumption Max.            | 12v @ 15A<br>24V @ 7.5A   |
| Power supply                      | 12VDC & 24VDC optional<br>100-380VAC (additional power convector needed)  |
| Reaction force                    | Up to 1800N   |
| Mechanical installation           | Support must withstand 8000 N of force  |
| Options                           | Network, radio remote, aux control e.t.c.   |

# PSKD80 FIRE MONITOR

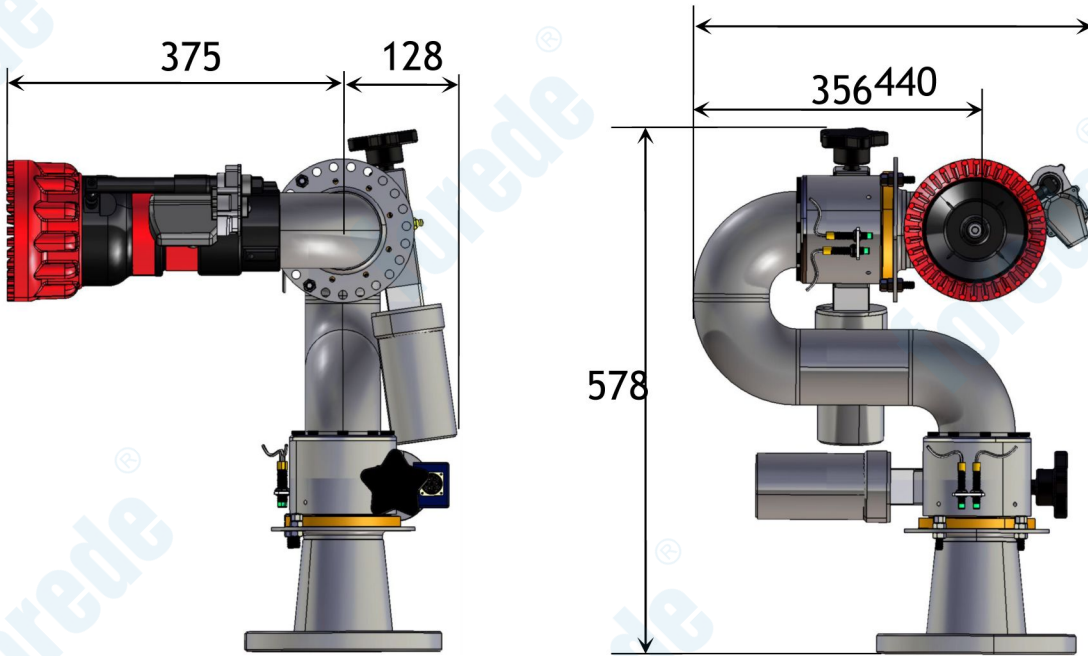
## FIRE MONITOR DESCRIPTION



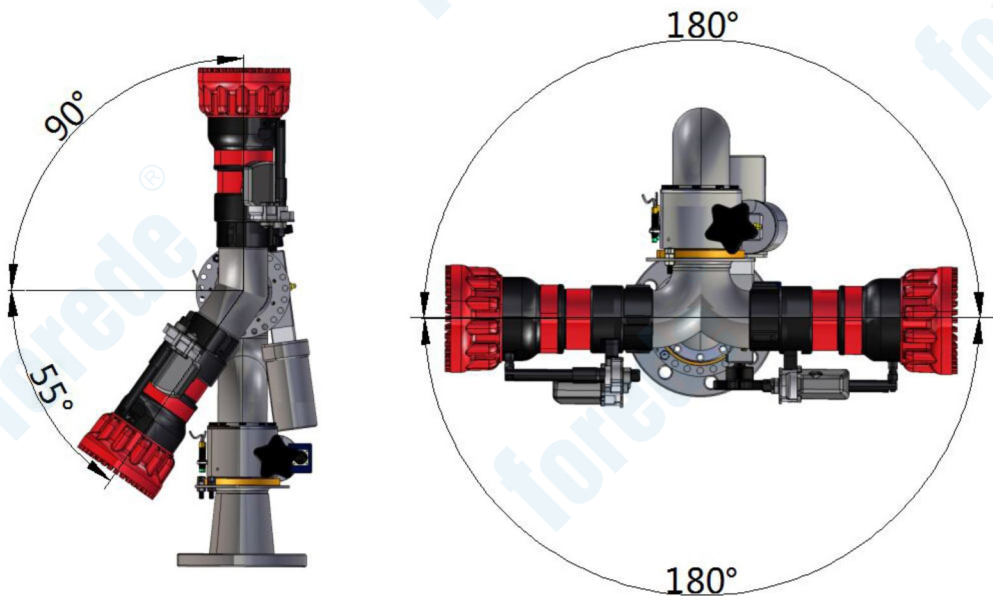
# PSKD80 FIRE MONITOR

## OUTLINE DIMENSIONS

Before mounting fire monitor, ensure that both the horizontal and vertical rotation envelopes are clear of all obstructions. See below figures for envelope dimensions. The rotation limits are determined by the limit bolts locations on the monitor flange, and can be adjusted



PSKD80 FIRE Monitor Outline Dimensions





Rotation Envelop

# PSKD80 FIRE MONITOR

## SYSTEM COMPONENTS DESCRIPTION

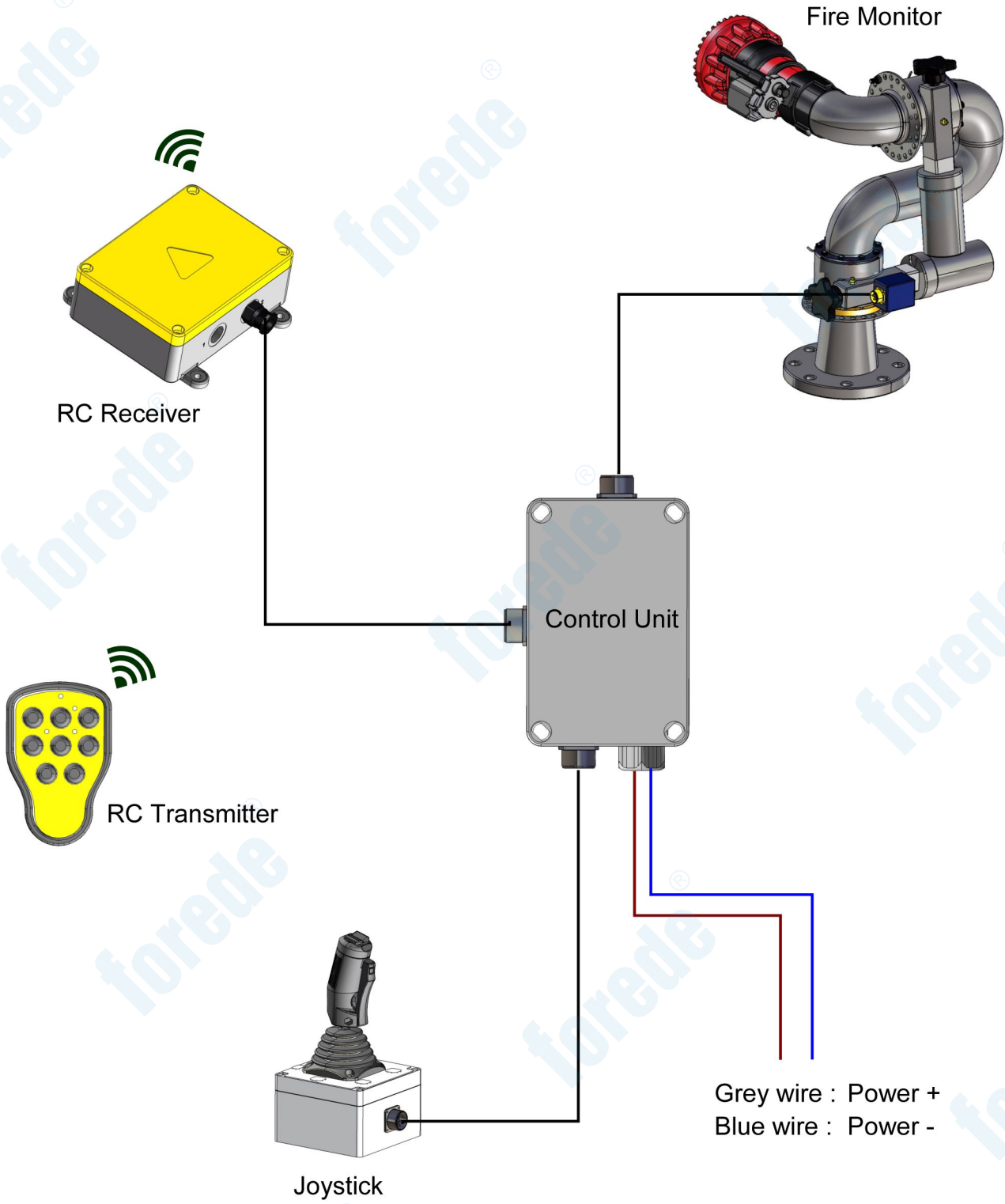
| PART IMAGE  | PART #     | BRIEF DESCRIPTION   |
|---|------------|---|
| <p>FIRE MONITOR BODY</p>           | PSKD80-1   | <ul style="list-style-type: none"> <li>■ 12VDC &amp; 24VDC Version Available</li> <li>■ 2.5" NPT outlet</li> <li>■ Stainless steel 3" waterway</li> <li>■ Bronze worm, stainless steel gear</li> <li>■ 4" Inlet flange</li> </ul>                             |
| <p>AUTOMATIC ELECTRIC NOZZLE</p>  | AN80E      | <ul style="list-style-type: none"> <li>■ 10~80L/S, Automatic (constant pressure, variable flow, constant gallonage, flow does not change with pattern)</li> <li>■ IP67 standard seal actuator</li> <li>■ Fixed fog teeth</li> <li>■ Metal stickers</li> </ul> |
| <p>JOYSTICK</p>                  | CTRL-J01   | <ul style="list-style-type: none"> <li>■ Up-down-left-right, straight stream/fog function</li> <li>■ Power indicator</li> <li>■ Aluminum base</li> </ul>  |
| <p>CONTROL UNIT</p>              | CU-01      | <ul style="list-style-type: none"> <li>■ Aluminum cover</li> <li>■ IP67 Standard sealed</li> </ul>  |
| <p>RC TRANSMITTER</p>            | CTRL-RCT01 | <ul style="list-style-type: none"> <li>■ Max. 150m Radio control distance</li> </ul>  |

# PSKD80 FIRE MONITOR

|  |                                |   |
|--|--------------------------------|---|
| <p>RC RECIEVER</p>  | <p>CTRL-RCR01</p>              | <ul style="list-style-type: none"><li>■ Max. 150m Radio control distance</li></ul>  |
| <p>CABLES</p>       | <p>CTRL-CB01<br/>CTRL-CB02</p> | <ul style="list-style-type: none"><li>■ Joystick to Control Unit cable- 5m length</li><li>■ Monitor to Control Unit cable- 5m length</li><li>■ Other length cables please specified</li></ul> |

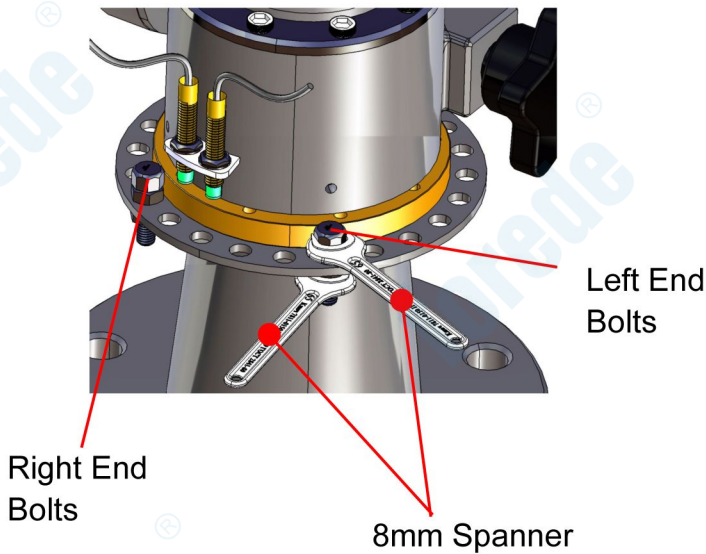
# PSKD80 FIRE MONITOR

## SYSTEM WIRING



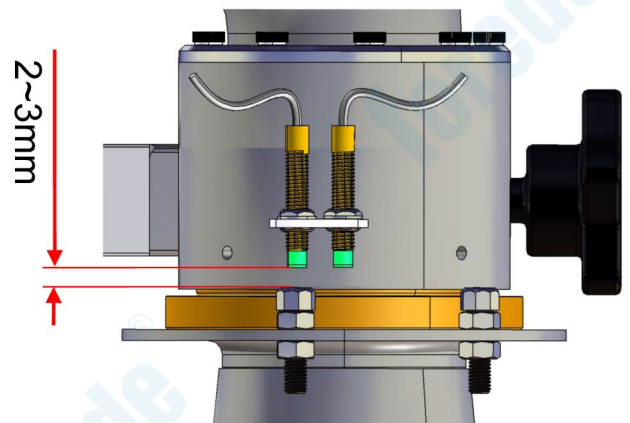
# PSKD80 FIRE MONITOR

## INSTALLATION INSTRUCTIONS



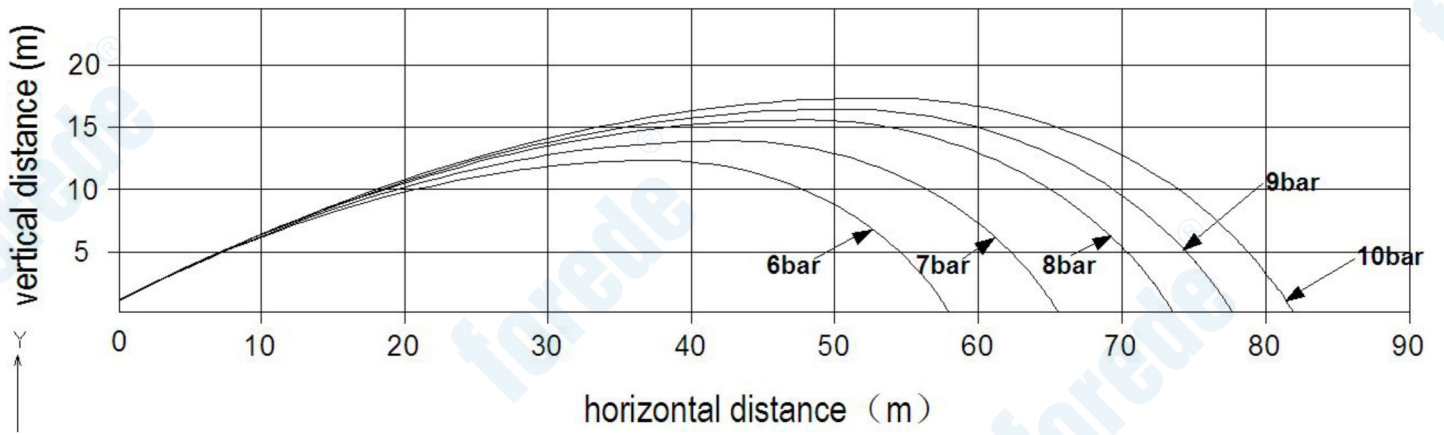
- By moving the bolts to set different end positions,
- Remove either “left bolts” or “right bolts”, the monitor will rotate 360° Horizontally.
- Make sure the bolts are fastened tightly on to the flange base

- Mind the gaps between the sensors and bolts,
- Too close may damage the sensors, too far may cause the sensor work abnormally



# PSKD80 FIRE MONITOR

## PERFORMANCE CHART



Results may vary depending on testing conditions and the figures may be considered as an approximate guideline only