

# Fusible Alloy ESFR -202 Pendent Fire Sprinkler

**Model:ESFR-202**



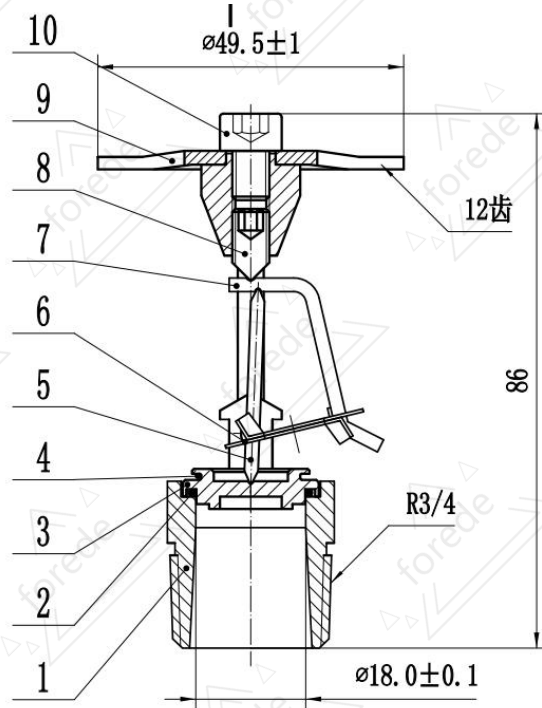
## Description

FOREDE Model ESFR 202 Sprinklers are Early Suppression, Fast Response (ESFR) sprinklers designed for use in warehouses and elevated warehouses with a headroom of more than 8 meters and less than 13.7 meters.

## Specification

Max.Working pressure	175Psi (12.1Bar)
Operation Temp.	74°C , 100°C
K factor	14@US(202@Metric)
Thread Size	3/4" NPT (20 mm BSP)
Response Type	Fast (ESFR)

**Construction**



Item Number	Part Name	Material
1	Frame	Brass
2	O-ring	Fluororubber
3	Button	Brass
4	Spring	Stainless Steel
5	Strut	Stainless Steel
6	Fusible Alloy	Brass With NBR O-Ring
7	Hook	Stainless Steel
8	Taper End Set Screw	Stainless Steel
9	Deflector	Stainless Steel
10	Socket Head Cap Screws M 6 x 8	Stainless Steel